

VAC & STEAM™

1977N

# IMPORTANT SAFETY INSTRUCTIONS

## READ ALL INSTRUCTIONS BEFORE USING YOUR APPLIANCE.

When using an electrical appliance, basic precautions should be observed, including the following:

### **WARNING**

#### **TO REDUCE THE RISK OF FIRE, ELECTRIC SHOCK, OR INJURY:**

- » This appliance can be used by children aged from 8 years and above and persons with reduced physical, sensory or mental capabilities or lack of experience and knowledge if they have been given supervision or instruction concerning use of the appliance in a safe way and understand the hazards involved. Cleaning and user maintenance shall not be made by children without supervision.
- » Children should be supervised to ensure that they do not play with the appliance.
- » If the supply cable is damaged, it must be replaced by the manufacturer, its service agent, or similarly qualified person in order to avoid a hazard.
- » Keep hair, loose clothing, fingers, and all parts of body away from openings and moving parts of the appliance and its accessories.
- » Do not leave appliance when plugged in.
- » Unplug from electrical socket when not in use and before servicing.
- » Do not allow to be used as a toy.
- » Use only as described in this user guide.
- » Use only manufacturer's recommended attachments.
- » Do not use with damaged cable or plug.
- » Do not immerse in water or liquid.
- » If appliance is not working as it should, has been dropped, damaged, left outdoors, or dropped into water; do not attempt to operate it and return it to a service center.
- » Do not pull or carry by cable, use cable as a handle, close door on cable, or pull cable around sharp edges or corners.
- » Do not run appliance over cable.
- » Keep cable away from heated surfaces.
- » Do not unplug by pulling on cable.
- » To unplug, grasp the plug, not the cable.

- » Do not handle plug or appliance with wet hands.
- » Do not put any object into openings.
- » Do not use with any opening blocked; keep free of dust, lint, hair, and anything that may reduce air flow.
- » Turn off all controls before unplugging.
- » Use extra care when cleaning on stairs.
- » Do not use to pick up flammable or combustible liquids, such as petroleum, or use in areas where they may be present.
- » Do not pick up toxic material (chlorine bleach, ammonia, drain cleaner, etc.)
- » Do not use appliance in an enclosed space filled with vapours given off by oil base paint, paint thinner, some mothproofing substances, flammable dust, or other explosive or toxic vapours.
- » Do not pick up hard or sharp objects such as glass, nails, screws, coins, etc.
- » Use only on dry, indoor surfaces.
- » Keep appliance on a level surface.
- » Do not pick up anything that is burning or smoking, such as cigarettes, matches, or hot ashes.
- » Do not use without dust bag and/or filters in place.
- » Do not use outdoors or on wet surfaces
- » This appliance is provided with double insulation. Use only identical replacement parts.
- » Do not leave machine running in the same spot without handle fully upright.
- » The appliance is not to be used if it has been dropped, if there are visible signs of damage or if it is leaking.
- » Keep the appliance out of reach of children when it is energized or cooling down.
- » The foot surfaces are liable to get hot during use.
- » Do not direct steam at people, animals, or equipment containing electrical components.
- » Do not use on leather, wax polished furniture or floors, synthetic fabrics, velvet or other delicate, steam-sensitive materials.

### **WARNING**

**ALWAYS CONNECT TO A PROPERLY EARTHED ELECTRICAL SOCKET.**

### **WARNING**

**LIQUID OR STEAM MUST NOT BE DIRECTED TOWARDS EQUIPMENT CONTAINING ELECTRICAL COMPONENTS.**

### **WARNING**

**SURFACE MAY BE HOT. AVOID CONTACT.**



**THIS SYMBOL MEANS WARNING: DANGER OF SCALDING**

## SAVE THESE INSTRUCTIONS

**FOR OPERATION ON A 220-240 VOLT A.C. 50-60 HZ POWER SUPPLY ONLY.**

This model is for household use only.

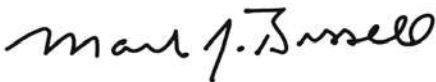
# Thanks for buying a BISSELL hard floor cleaner

We're glad you purchased a BISSELL hard floor cleaner. Everything we know about floor care went into the design and construction of this complete, high-tech home cleaning system.

Your BISSELL hard floor cleaner is well made, and we back it with a limited two-year warranty. We also stand behind it with a knowledgeable, dedicated Consumer Care department, so, should you ever have a problem, you'll receive fast, considerate assistance.

My great-grandfather invented the floor sweeper in 1876. Today, BISSELL is a global leader in the design, manufacture, and service of high quality homecare products like your BISSELL hard floor cleaner.

Thanks again, from all of us at BISSELL.



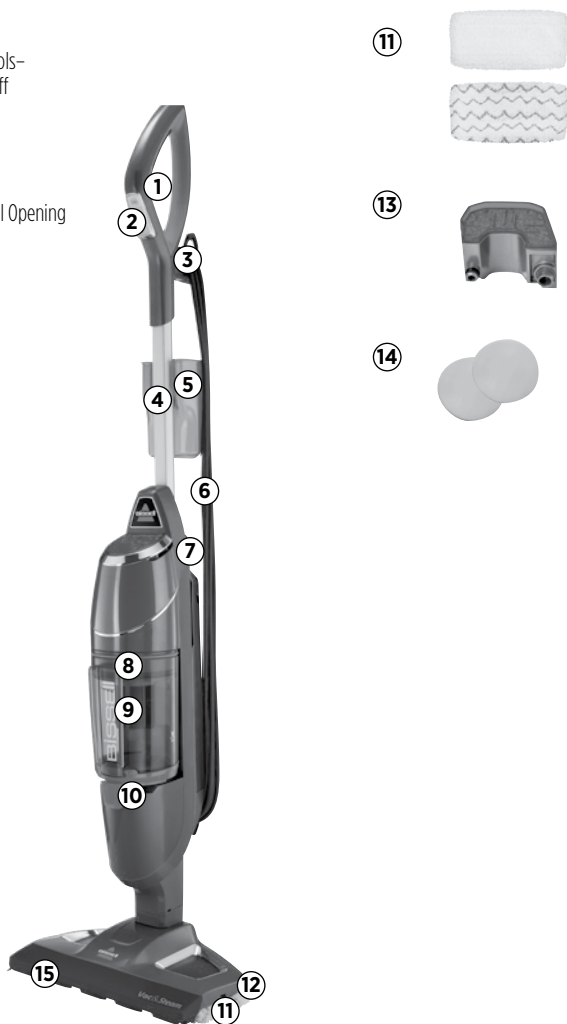
Mark J. Bissell  
Chairman & CEO

Safety Instructions . . . . .	2
Product View . . . . .	4
Assembly . . . . .	5
Operations . . . . .	6-7
Maintenance & Care . . . . .	8-10
Guarantee . . . . .	11
Consumer Care . . . . .	11

EN 1-12  
CZ 12-22  
DK 23-33  
DE 34-44  
ES 45-55  
FI 56-66  
FR 67-77  
HR 78-88  
HU 89-99  
IT 100-110  
NL 111-121  
NO 122-132  
PL 133-143  
PT 144-154  
RU 155-165  
SK 166-176  
SE 177-187

# Product View

- 1 Steam Trigger
- 2 Easy Touch Digital Controls-  
LO/Hi Steam & Vac On/Off
- 3 Cord Clip
- 4 Handle
- 5 Water Cup
- 6 25' Power Cord
- 7 Water Tank with Easy Fill Opening
- 8 Vacuum Filter
- 9 Drop-IT System
- 10 Bottom Empty Dirt Bin
- 11 Microfibre Mop Pads
- 12 Quick Release Pad Tray
- 13 Water Filter
- 14 Scent Disk
- 15 Vacuum Nozzle



## WARNING

Plastic film can be dangerous. To avoid danger of suffocation, keep away from babies and children.



## WARNING

Do not plug in your hard floor cleaner until you are familiar with all instructions and operating procedures.



## WARNING

To reduce the risk of electric shock, turn power switch off and disconnect polarized plug from electrical outlet before performing maintenance.

# Assembly

Your hard floor cleaner assembles quickly and easily, no tools required.

## Assemble Your Vac & Steam™

Insert the body into the foot until you hear the locking tab click. Insert the handle into the body of the unit until you hear a locking tab click.



## Special Features

### Easy Touch Digital Controls

The fingertip power controls are located on the front of the handle. Settings include:

**(HI) - High Steam** Use for durable floors or on sticky messes. To turn steam on, press once. Click again to turn steam off. Can be used simultaneously with the vacuum function or separately as a steam mop only.

**(LO) - Low Steam** Use on delicate floors or for light, everyday cleaning. To turn steam on, click once. Click again to turn steam off. Can be used simultaneously with the vacuum function or separately as a steam mop only.

**NOTE: You must select a steam setting first and then hold down the hand trigger to produce steam.**

**(VAC) - Vacuum** On/off switch. Can be used simultaneously with either steam function or separately as a stick vacuum only.

**NOTE: All settings can be used alone or either steam setting can be used simultaneously with the vacuum setting.**

### Microfibre Mop Pads

Reusable microfibre mop pads are machine washable and safe for virtually all hard floor surfaces. The white microfibre pad is best for everyday use on delicate flooring like sealed hardwoods and laminate. The gray and white striped pad can be used for scrubbing heavily soiled floors and cleaning tougher messes.

## ⚠️ WARNING

Do not plug in your hard floor cleaner until you are familiar with all instructions and operating procedures.

## ⚠️ WARNING

Exercise extreme care when using the Vac & Steam™ on hardwood floors. Prolonged application of steam in one area increases the risk of damage to the surface treatment on timber floors. Test steam mop in an inconspicuous area before mopping a large area. The steam mop generates hot steam, so move the unit continuously when depressing the trigger. The trigger does not need to be depressed at all times. Regular foot traffic and direct sunlight will wear down timber floor surface treatment, making it more susceptible to steam damage. Check with your timber floor treatment and application specialist prior to steam mop operation.

## ⚠️ WARNING

Appliance will not pick up crayons, marbles and other large objects.

## Tip

» Do not attempt to use your hard floor cleaner on the steam setting without water in the tank. You may hear a knocking sound indicating there is no water.

## ⚠️ WARNING

Be sure to turn off vacuum mode if you encounter liquid on the floor.

# Operations

## Getting Ready

The mop pad may have already come attached to the mop pad tray on the foot of the unit. If not, please follow step 1 below.

**For Microfibre Mop pads, please follow these steps:**

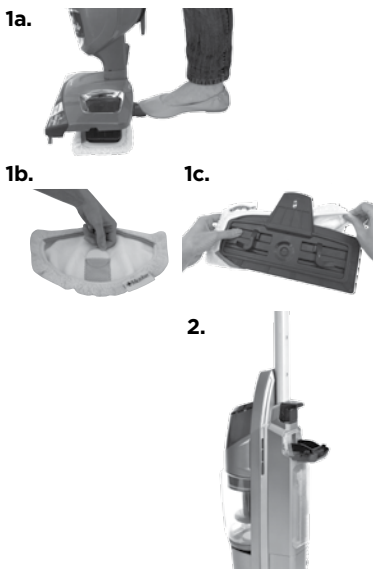
1. Attach mop pad.
  - a. Step on foot release for mop pad tray and lift unit off tray.
  - b. Some units may come with freshening discs. Add Freshening Disc in the mesh pocket in the mop pad. Use the whole disc for a refreshing scent or cut in half for a lighter scent.
  - c. Wrap mop pad around the bottom of the tray, making sure the gray stitching is in the front and the quick release tab is in the back.
  - d. Put the mop pad tray back down on the floor and set the unit back on top. It will click into place.
2. Fill the water tank.
  - a. On the back of the unit, open the Easy Fill opening of the water tank and use the included water cup to fill the water tank with water. Don't overfill or water may spill from the tank. For best results, water should be at room temperature.
  - b. Close the Easy Fill opening.
  - c. The water tank holds 384 mL and will last approximately 15 minutes depending on the amount of the steam used during cleaning.
3. Pull and twist the Quick Release cord wrap clockwise to unwrap the power cord completely and plug into an outlet as described on the Important Safety Instructions on page 2.

**NOTE: Upon the first use of the Vac & Steam™ or first use after refilling the water tank, the pump may make a 'knocking' sound. This is normal and could last up to 30 seconds.**

## Tip

» Use of distilled water is recommended to prolong the life of your hard floor cleaner.

### Microfibre Mop Pad



## WARNING

Do not operate appliance with damp or wet filters or without all filters in place.

## WARNING

Tinted plates on foot may get hot while steam mop is in use. Do not touch while hot.

## WARNING

Never put descaling, alcoholic, or detergent products into the steam cleaner, as this may damage it or make it unsafe for use.

# Operations

## Using Your Hard Floor Vacuum and Steam Mop

The hard floor cleaner can be used as a stick vacuum and a steam mop at the same time or separately. For best results and time savings, use the powerful vacuum to clear floor of dust and small debris as you steam mop.

Your hard floor cleaner is designed to clean hard flooring, such as ceramic tile, vinyl, marble, stone and sealed hard wood floors. Use on waxed or some unwaxed floors may result in a diminished glossiness. The hard floor cleaner is not for use on unsealed wood floors. For best results, test in an inconspicuous area and check the care instructions from your flooring manufacturer.

1. Fill the unit with water and then plug the unit in and wait 30 seconds for it to heat up. Choose the level of steam to clean your floor:

**HI** (for durable floors or sticky messes) or  
**LO** (for delicate floors or every day cleaning).

2. Press steam trigger on the underside of the handle to actuate steam.

3. Push the **VAC** switch down to turn on the cyclonic vacuum.

4. Begin cleaning by slowly moving the unit over the floor surface while pressing the steam trigger on the underside of the handle. Moisture on the floor is normal when using in steam mode.

5. When the hard floor cleaner stops emitting steam, turn the unit off (both steam mop and vacuum functions) and unplug. Open the Easy Fill opening of the water tank and use the water cup to add more water to the tank. For best results, water should be at room temperature. Then close the Easy Fill opening, turn the unit back on and continue cleaning.

**NOTE: To be sure to sanitize an area of your floor, use the microfibre cloth pads and slowly and evenly stroke your steam mop back and forth at least three times over the area using continuous steam. For best results, remove the pad and wash after use.**

### **WARNING**

To reduce the risk of electric shock, turn power switch off and disconnect polarized plug from electrical outlet before performing maintenance or troubleshooting checks.

1.



2.



# Maintenance & Care

## Removing All Mop Pads

1. Unplug hard floor cleaner from electrical outlet.
2. Step on foot release for mop pad tray and lift unit off tray.
3. Carefully remove mop pad from the mop pad tray using the Quick Release Tab. The mop pad and tray may be hot.
4. Put the mop pad tray back down on the floor and set the unit back on top. It will click into place.
5. The microfibre mop pad can be machine washed in warm water. Use only liquid detergents. Do not use fabric softeners or bleach. For best results, air dry.

## ⚠ WARNING

To reduce the risk of electric shock, turn power switch off and disconnect polarized plug from electrical outlet before performing maintenance or troubleshooting checks.

## CAUTION

Upright storage of the cleaner with a wet mop pad may result in the formation of white marks on your floor. To remove the white marks, clean area with vinegar.

2.



## Empty Dirt Tank

The dirt tank needs to be emptied when the dirt reaches the 'Full' line on the side of the tank.

1. Unplug hard floor cleaner from electrical outlet.
2. Remove the Easy Empty dirt tank from the unit by moving the lock button on the front of the unit to the left.
3. Press the bottom lid release button on the back of the dirt tank to empty dirt.
4. The dirt tank also has a built in Drop-IT system for easy debris emptying.
  - a. In the middle of the vacuum filter attached to the top of the dirt tank locate the color rod
  - b. Pull the rod up and lock the rod in place by turning it clockwise
  - c. Push down on the lever to force out stuck debris
  - d. When done, rotate the color rod counter-clock wise and push it down to return it to its original position
5. Close the bottom lid and mount the Easy Empty dirt tank back on the vacuum base and push the lock button to the right until it is centered on the front of the unit.

**NOTE: The dirt tank may be washed in warm water with a mild detergent. Make sure it is completely dry before replacing.**

2.



3.



4b.



4c.





# Maintenance & Care

## Cleaning or Replacing the Vacuum Filter

The key to maximum performance is having a clean filter. Cleaning the filter after each use will help your vacuum operate at peak efficiency.

### To clean filter:

1. Turn power off and unplug unit.
2. Remove the dirt container from the unit, as directed above.
3. Remove filter and tap firmly against the inside of a waste container, removing any visible dirt.
4. Replace filter back into the dirt container and attach dirt container to the base of the unit. Slide the lever to your right to lock.

### NOTE:

After heavy usage, you may clean the pleated filter by washing it gently by hand.

## WARNING

To reduce the risk of electric shock, turn off machine and disconnect polarized plug from electrical outlet before performing maintenance or troubleshooting checks.

2.



## Thermal Protector

An internal thermal protector has been designed into your vacuum to protect it from overheating. When the thermal protector activates, the vacuum motor will stop operating. If this happens:

1. Turn the cleaner OFF and unplug from electrical outlet.
2. Empty dirt container, check filters and air passages for dirt accumulation.
3. The thermal protector automatically resets after approximately 2 hours. If the thermal protector does not reset.

## Replacing the Water Filter

It is recommended to fill your unit with distilled water only. Periodically check your water filter. When the green grains turn blue, change your water filter.

If the filter is not changed at the appropriate time, calcium deposits may accumulate on the heater, causing damage or reduced performance.

### To replace the filter:

1. Using the grips on the side of the filter, pull filter out of the unit.
2. Push filter firmly into the machine until it's flush.

## WARNING

To reduce the risk of electric shock, turn power switch off and disconnect polarized plug from electrical outlet before performing maintenance or troubleshooting checks.



# Maintenance & Care

## Cleaning Hose Tube

1. Grab bottom end of the hose and pull lower portion away from the body.
2. Separate the hose into two pieces.
3. Wash hose and wait for it to dry.
4. Align the top of the hose to the grooves on the hose opening of the unit.
5. Twist hose down to insert lower portion of hose to the unit.
6. Make sure hose fits tightly into the unit.

## WARNING

To reduce the risk of electric shock, turn power switch off and disconnect polarized plug from electrical outlet before performing maintenance or troubleshooting checks.

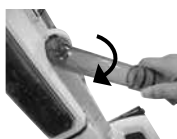
1.



3.



5.



6.



## Cleaning Foot of Unit

1. To clean the foot and bristles, push the release button on the back of the pivot joint and pull the foot to release it from the appliance.
2. Wash bottom of foot and bristles with cold water.
3. Look for any clogging in the steam nozzle. To clean, run water over steam nozzle.

**NOTE: Make sure foot and bristles are dry before attaching the foot to the appliance.**

4. To re-attach the foot to the appliance: place the foot on the floor, push the appliance down into the foot and then listen for the click that sounds when properly attached.



# Consumer Guarantee

This Guarantee only applies outside of the USA and Canada. It is provided by BISSELL International Trading Company BV ("BISSELL").

This Guarantee is provided by BISSELL. It gives you specific rights. It is offered as an additional benefit to your rights under law. You also have other rights under law which may vary from country to country. You can find out about your legal rights and remedies by contacting your local consumer advice service. Nothing in this Guarantee will replace or lessen any of your legal rights or remedies. If you need additional instruction regarding this Guarantee or have questions regarding what it may cover, please contact BISSELL Consumer Care or contact your local distributor.

This Guarantee is given to the original purchaser of the product from new and is not transferable. You must be able to evidence the date of purchase in order to claim under this Guarantee.

## Limited 2 Year Guarantee from the date of purchase by original purchaser

Subject to the \*EXCEPTIONS AND EXCLUSIONS identified below, BISSELL will repair or replace (with new or remanufactured components or products), at BISSELL's option, free of charge, any defective or malfunctioning part or product.

BISSELL recommends that the original packaging and evidence of the date of purchase be kept for the duration of the Guarantee period in case the need arises within the period to claim on the Guarantee. Keeping the original packaging will assist with any necessary re-packaging and transportation but is not a condition of the Guarantee.

If for your product is replaced by BISSELL under this Guarantee, the new item will benefit from the remainder of the term of this Guarantee (calculated from the date of the original purchase). The period of this Guarantee shall not be extended whether or not your product is repaired or replaced.

### \*EXCEPTIONS AND EXCLUSIONS FROM THE TERMS OF THE GUARANTEE

This Guarantee applies to products used for personal domestic use and not commercial or hire purposes. Consumable components such as filters, belts and mop pads, which must be replaced or serviced by the user from time to time, are not covered by this Guarantee.

This Guarantee does not apply to any defect arising from fair wear and tear. Damage or malfunction caused by the user or any third party whether as a result of accident, negligence, abuse, neglect, or any other use not in accordance with the User Guide is not covered by this Guarantee.

An unauthorised repair (or attempted repair) may void this Guarantee whether or not damage has been caused by that repair/attempt.

Removing or tampering with the Product Rating Label on the product or rendering it illegible will void this Guarantee.

SAVE AS SET OUT BELOW BISSELL AND ITS DISTRIBUTORS ARE NOT LIABLE FOR ANY LOSS OR DAMAGE THAT IS NOT FORESEEABLE OR FOR INCIDENTAL OR CONSEQUENTIAL DAMAGES OF ANY NATURE ASSOCIATED WITH THE USE OF THIS PRODUCT INCLUDING WITHOUT LIMITATION LOSS OF PROFIT, LOSS OF BUSINESS, BUSINESS INTERRUPTION, LOSS OF OPPORTUNITY, DISTRESS, INCONVENIENCE OR DISAPPOINTMENT. SAVE AS SET OUT BELOW BISSELL'S LIABILITY WILL NOT EXCEED THE PURCHASE PRICE OF THE PRODUCT.

BISSELL DOES NOT EXCLUDE OR LIMIT IN ANY WAY ITS LIABILITY FOR (A) DEATH OR PERSONAL INJURY CAUSED BY OUR NEGLIGENCE OR THE NEGLIGENCE OF OUR EMPLOYEES, AGENTS OR SUBCONTRACTORS; (B) FRAUD OR FRAUDULENT MISREPRESENTATION; (C) OR FOR ANY OTHER MATTER WHICH CANNOT BE EXCLUDED OR LIMITED UNDER LAW.

## Consumer Care

**If your BISSELL product should require service or to claim under our limited guarantee, please contact us as follows:**

### Website:

[www.BISSELL.com](http://www.BISSELL.com)

### Email:

[Customers.Bitco@bissell.com](mailto:Customers.Bitco@bissell.com)

### Write:

BISSELL International Trading Company B.V.  
Stadhouderskade 55  
1072 AB Amsterdam  
The Netherlands

## Visit the BISSELL website: [www.BISSELL.com](http://www.BISSELL.com)

When contacting BISSELL, have model number of cleaner available.

Please record your Model Number: \_\_\_\_\_ Please record your Purchase Date: \_\_\_\_\_

**NOTE: Please keep your original sales receipt. It provides proof of the date of purchase in the event of a Guarantee claim. See Guarantee for details.**



©2016 BISSELL Homecare, Inc  
Grand Rapids, Michigan  
All rights reserved. Printed in China  
Part Number 160-9926 12/16 Rev C  
Visit our website at: [www.BISSELL.com](http://www.BISSELL.com)